

Sentry BevCon

A Sales-Division of International Carbonic Inc.

Now you can hold 12 flavors plus water & soda in the palm of your hand with the **NEW JS-14**
JUICE - SODA - WINE VALVE



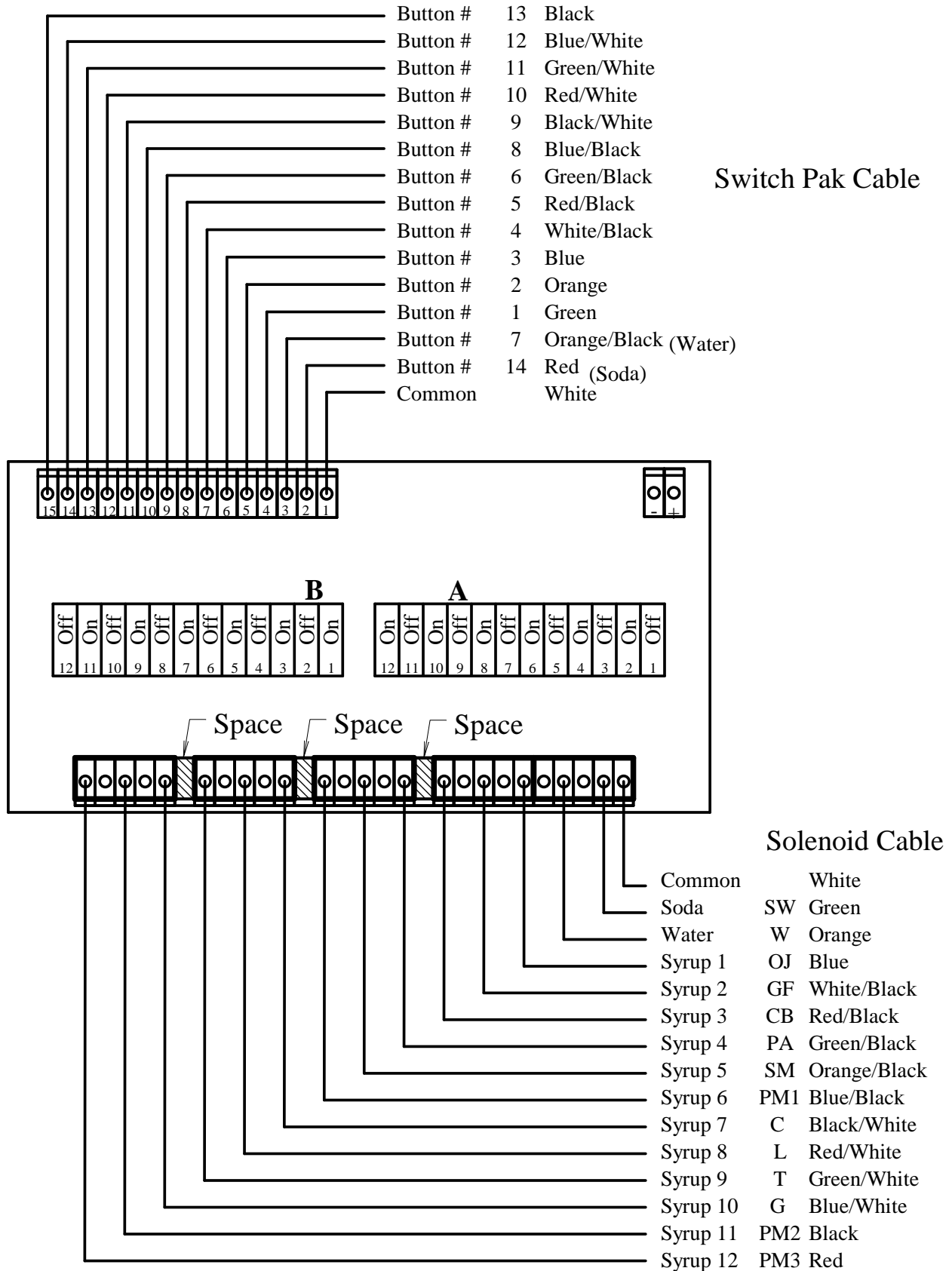
The JS-14 is a highly versatile instrument, electronically engineered and programmable for beverage delivery of carbonated drinks, non-carbonated drinks and wine. It's compatible with modern day control systems to ensure portion control, accountability and greater profits.

Carefully constructed from strong, highly durable, FDA approved ABS Cyclocac plastic, the JS-14 resists erosion from acids found in juice products. In normal use it is virtually indestructible and the operating handle weighs only 8 ounces.

16630 Koala Road Adelanto, California 92301

Phone: (800) 661-3003 Fax: (775) 626-3354

Command Board JS-14R



JS-14R

Solenoid to Solenoid Board Connection

PM3	SW	W	OJ	GF	CB	PA	SM	PM1	C	L	T	G	PM2
-----	----	---	----	----	----	----	----	-----	---	---	---	---	-----

