

Sentry BevCon

A Sales-Division of International Carbonic Inc.

Now you can hold 8 flavors plus water & soda in the palm of your hand with the **NEW JS-10 JUICE - SODA - WINE VALVE**



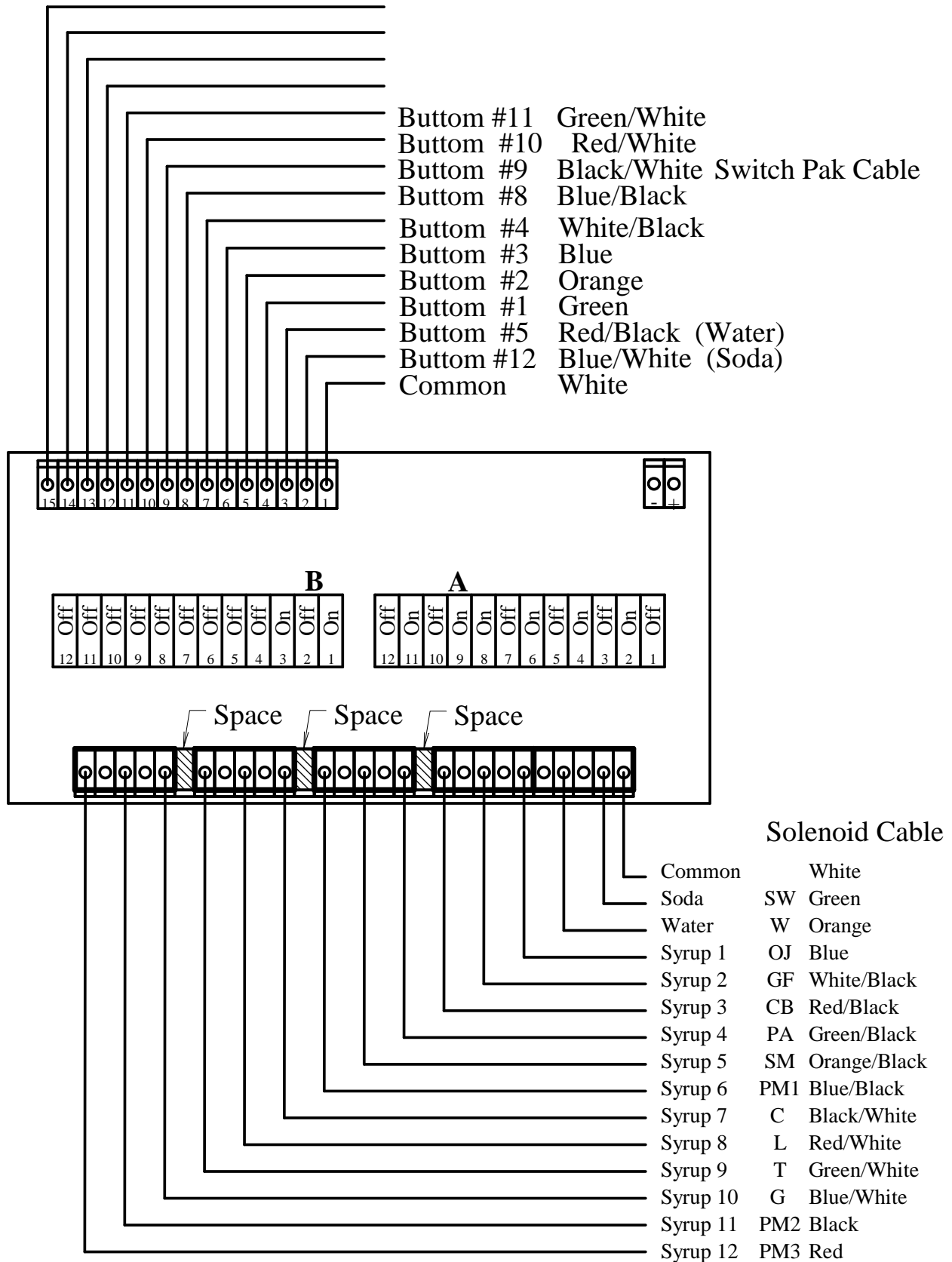
The JS-10 is a highly versatile instrument, electronically engineered and programmable for beverage delivery of carbonated drinks, non-carbonated drinks and wine. It's compatible with modern day control systems to ensure portion control, accountability and greater profits.

Carefully constructed from strong, highly durable, FDA approved ABS Cicolac plastic, the JS-10 resists erosion from acids found in juice products. In normal use it is virtually indestructible and the operating handle weighs only 8 ounces.

16630 Koala Road Adelanto, California 92301

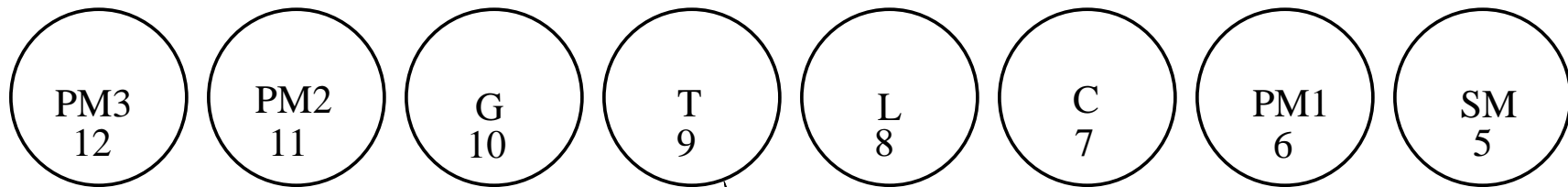
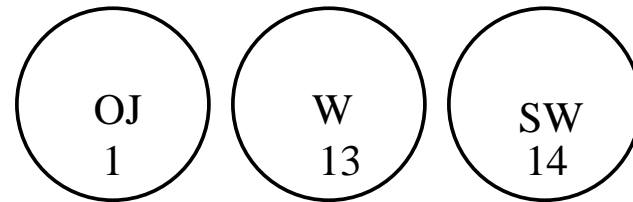
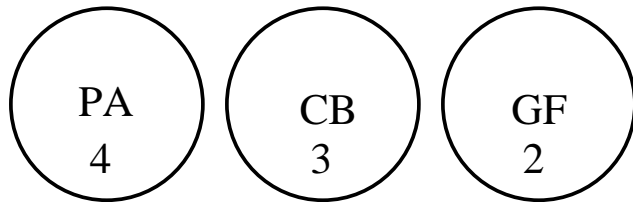
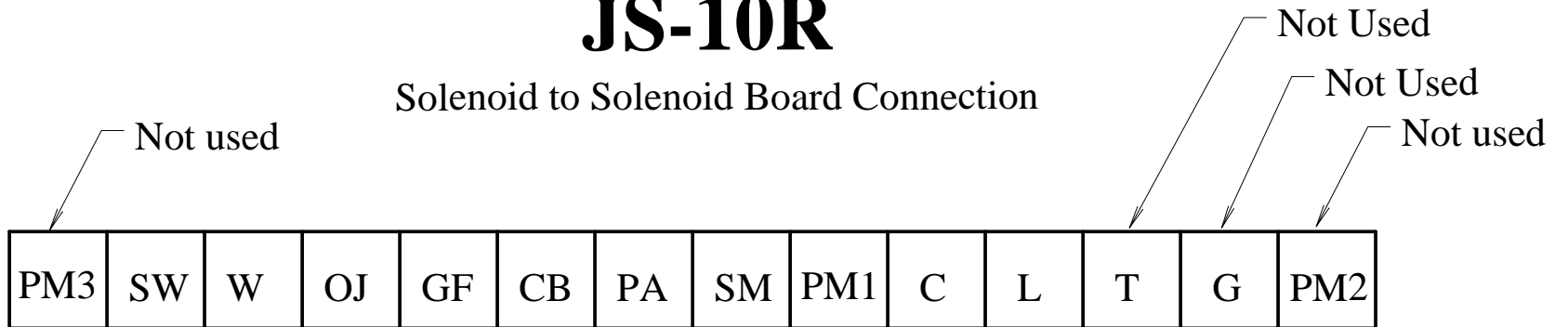
Phone: (800) 661-3003 Fax: (775) 626-3354

Command Board JS-10R



JS-10R

Solenoid to Solenoid Board Connection



Not used (pointing to PM3)

Not used (pointing to PM2)

Not used (pointing to G)

Not used (pointing to T)